

CABLE 228 RF: MMCX RIGHT ANGLE PLUG + MULTIPLE CABLE SIZES + TNC STRAIGHT BULKHEAD JACK WITH O-RING RATED TO IP67/68

SPECIFICATIONS:

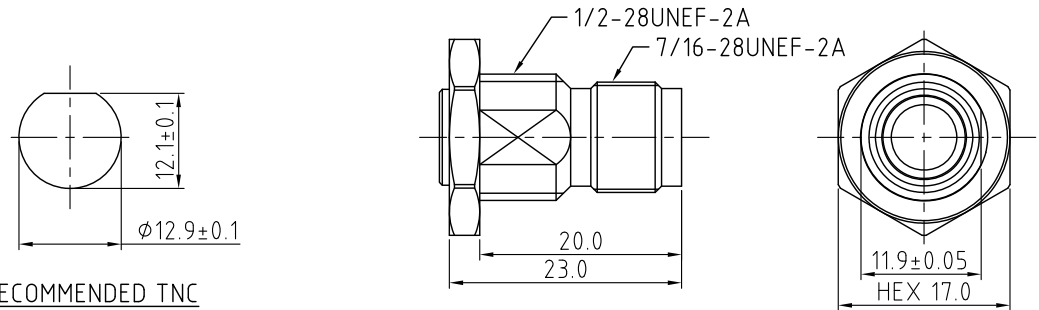
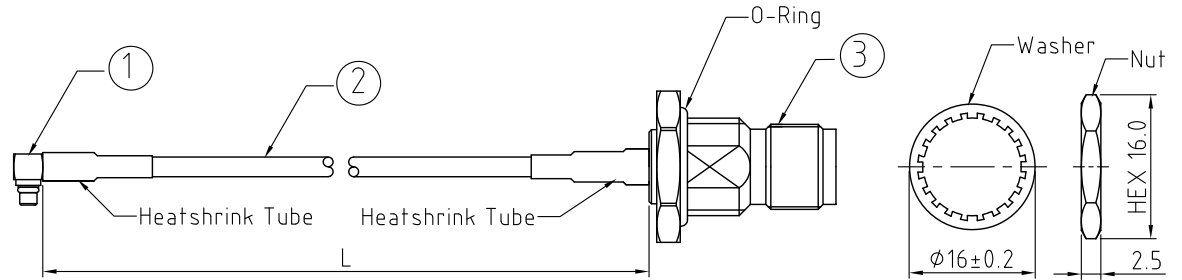
1. MMCX RIGHT ANGLE PLUG, P/N:
FOR RG174 CABLE: RFCT-MMCX004-M74.
FOR RG178, $\phi 1.37\text{MM}$ CABLE: RFCT-MMCX003-M78.
2. COAXIAL CABLE, SEE P/N OPTIONS FOR DETAIL.
3. TNC STRAIGHT BULKHEAD JACK WITH O-RING RATED TO IP67/68, P/N:
FOR RG174 CABLE: RFCT-TNC002-F74.
FOR RG178, $\phi 1.37\text{MM}$ CABLE: RFCT-TNC006-F78.

ENVIRONMENTAL:

- A. BULKHEAD MOUNTED CONNECTOR (RFCT-TNC002-F74) TESTED TO THE FOLLOWING SPECIFICATION:
 - i. IP6X - DUST TIGHT - NO PARTICLE INGRESS.
 - ii. IPX7 WATERPROOF FOR 30 MINUTES UP TO 1 METER UNDERWATER.
 - iii. IPX8 WATERPROOF FOR 48 HOURS AT 1 METER UNDERWATER.
 - iv. IPX8 WATERPROOF FOR 12 HOURS AT 5 METERS UNDERWATER.
 - v. PRESSURE TEST - 1 BAR FOR 10 SECONDS.

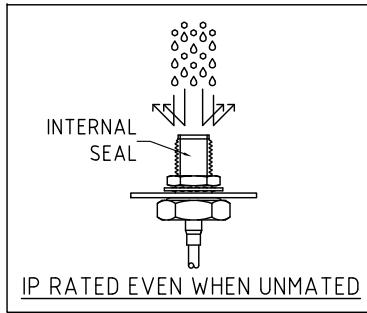
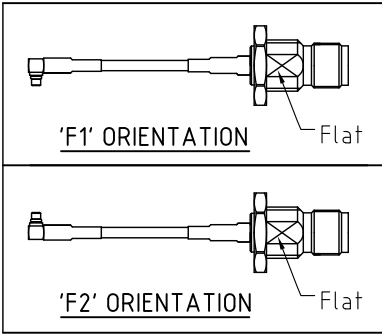
NOTES:

1. THE ORIENTATION OF CONNECTORS ON DRAWING IS FOR REFERENCE ONLY, IF THE ORDER IS LEFT BLANK THE CONNECTOR WILL NOT HAVE FIXED ORIENTATION.
2. FIXED ORIENTATION IS SUGGESTED FOR CABLE LENGTH 50MM TO 100MM. PLEASE SPECIFY THE FIXED ORIENTATIONS FROM THE ORDER CODE (F1, F2, ETC)
3. CONTACT GRADCONN IF THE ORIENTATION YOU REQUIRE IS NOT SHOWN.
4. WORKING FREQUENCY RANGE: DC-3GHz.



RECOMMENDED TNC MOUNTING HOLE

TNC DETAIL DRAWING



"L" LENGTH IN MM
eg: 100MM = 0100
(MIN. = 0050, MAX. = 2000,
STANDARD = 0100, 0150, 0200)
Tolerance: 50-200mm: $\pm 5\text{mm}$.
201-500mm: $\pm 7\text{mm}$.
>500mm: $\pm 10\text{mm}$.

HOW TO ORDER

CABLE 228 RF - X X X X - X X - X - X

CABLE SIZE OPTIONS:
1 = RG174 CABLE, COLOR: BLACK
2 = RG178 CABLE, COLOR: BROWN
3 = $\phi 1.37\text{MM}$ CABLE, COLOR: BLACK

WASHER AND NUT OPTIONS:
BLANK = SEPARATELY PACKED (STANDARD)
A = ASSEMBLED WITH CONNECTOR

ORIENTATION OPTIONS:
BLANK = DOES NOT HAVE A FIXED ORIENTATION
F1 = MMCX CONNECTION DOWN (L=50-200MM)
F2 = MMCX CONNECTION UP (L=50-200MM)
(SEE NOTES 1, 2, 3 AND DIAGRAMS FOR MORE INFORMATION)

REV. DATE & DRN	10 - 16/02/16 - NYW RELEASE
11	02/05/17 - NYW OPTION 2
12	20/07/17 - NYW OPTION 2
13	01/06/18 - NYW REMOVE O-RING OPTION
14	03/03/24 - CC ADD #1.37 CABLE OPTION
	ADD IP RATING VIEW

Scale: NTS	THIRD ANGLE	Unstated .X .XX .XXX ANGLES	Tolerances: N/A N/A N/A N/A
Drawn: CC			
App'd: XXX	Title CABLE ASSEMBLY		
Date: 3 MAR '24	Revision: 1.4	Unit: mm	

IP Rated RF Products

www.gradconn.com

Type: Cable 228 RF
CABLE 228 RF
Drawing Number:
Sheet 1 of 1
Drawing © E and O E